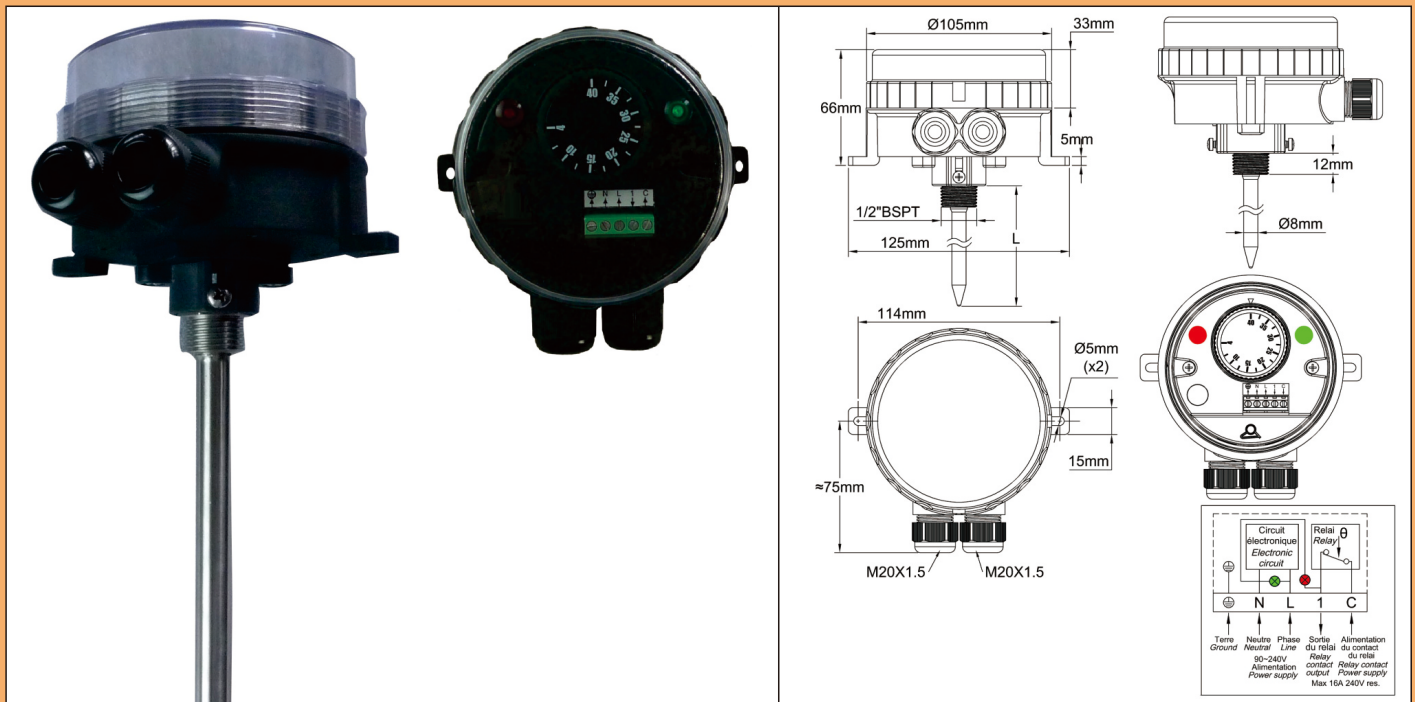


Electronic thermostats, rod sensor

Enclosure	Type	Operation	Contact	Measurement	Ranges °C	Models
IP66,IK10	Control	Electronic	SPNO or SPNC	Probe		YF42NC & YF44NC
Material						
PA66 & PC						



Applications

-Equipment requesting a very strong resistance to water ingress. The transparent cover allows to visualize the set point and the 2 pilot lights

Temperature control with reduced differential, on-off action, in usual industrial application and environment, not hazardous areas. These **electronic** rod thermostats are installed inside pockets as immersion thermostats in pipelines and containers, and for monitoring temperature in air ducts. (Not suitable for hazardous areas).

-Very small differential

Housing: Protection class IP 66 upon EN 60529 (waterproof spray water under high pressure and sea splashes, totally dust tight). Body in black PA66, fiber glass reinforced. The transparent polycarbonate cover can be unscrewed by hand, but it is also possible to use a hook spanner. Mechanical impact resistance : IK10. High UV resistance.

Set point adjustment: By °C printed knob. All types have an adjustable rotation limit system located inside the knob that allows reducing the set point adjustment span. °F printed knobs available as an option.

Operation: Microprocessor electronic thermostat, on-off action
Set point adjustment ranges: 4-40°C (40-105°F); 30-90°C (85-195°F); 30-110°C (85-230°F).

Differential: Differential is preset at the minimum value, but can be increased with a potentiometer located under the set point adjustment knob.

Sensing element: Dia. 5mm NTC sensor (10KOhms @25°C), inside nickel plated brass pocket. Thread ½" BSPT. Tube outside diameter 8mm. Maximum temperature on the probe: 120°C (250°F). Located at the bottom of the housing, 2 screws are used to secure standard pockets. (See the compatible brass pockets range in the accessories section).

Pilot lights: One pilot light visualizes the thermostat contact output position. The other visualizes the power supply input. Phase and line 230V power supply is mandatory for these pilot lights.

Cable input and output: Two M20 cable glands, built-in black PA66.

Electrical connections: Inside, on screw terminal connection block. It is possible to connect 2 wires 1.5mm² on each terminal.

Earthing: Internal screw terminal.

Mounting: By the pocket thread or by 2 legs with holes for screws dia. 4 to 5 mm, 114 mm distance.

Identification: Identification label on backside.

Contact: SPST. 16A (2.6), 250VAC. Open or close on temperature rise. Model with contact closing on temperature rise is used for refrigeration. Version with contact opening on temperature rise is used for heating.

Electrical life: >100.000 cycles.

Minimum storage temperature: -35°C (-30°F)

Maximum ambient temperature: 60°C (140°F)

For more technical information ask 2PE2N6 thermostat technical data sheet.

Electronic thermostats, rod sensor

(P2)

Main references

Temperature adjustment ranges °C (°F)	References with SPNC contact, open on temperature rise	References with SPNO contact, close on temperature rise	Pocket length (L, mm)	Temperature sensing length (mm)	Differential °C (°F)
4-40°C (40-105°F)	YF42NC04040118UJ	YF44NC04040118UJ	110	50	0,5~0,8°C (0.9~1.4°F)
4-40°C (40-105°F)	YF42NC04040178UJ	YF44NC04040178UJ	170	50	0,5~0,8°C (0.9~1.4°F)
4-40°C (40-105°F)	YF42NC04040238UJ	YF44NC04040238UJ	230	50	0,5~0,8°C (0.9~1.4°F)
4-40°C (40-105°F)	YF42NC04040308UJ	YF44NC04040308UJ	300	50	0,5~0,8°C (0.9~1.4°F)
4-40°C (40-105°F)	YF42NC04040458UJ	YF44NC04040458UJ	450	50	0,5~0,8°C (0.9~1.4°F)
4-40°C (40-105°F)	YF42NC04040608UJ	YF44NC04040608UJ	600	50	0,5~0,8°C (0.9~1.4°F)
30-90°C (85-195°F)	YF42NC30090118UJ	YF44NC30090118UJ	110	50	0,5~0,8°C (0.9~1.4°F)
30-90°C (85-195°F)	YF42NC30090178UJ	YF44NC30090178UJ	170	50	0,5~0,8°C (0.9~1.4°F)
30-90°C (85-195°F)	YF42NC30090238UJ	YF44NC30090238UJ	230	50	0,5~0,8°C (0.9~1.4°F)
30-90°C (85-195°F)	YF42NC30090308UJ	YF44NC30090308UJ	300	50	0,5~0,8°C (0.9~1.4°F)
30-90°C (85-195°F)	YF42NC30090458UJ	YF44NC30090458UJ	450	50	0,5~0,8°C (0.9~1.4°F)
30-90°C (85-195°F)	YF42NC30090608UJ	YF44NC30090608UJ	600	50	0,5~0,8°C (0.9~1.4°F)
30-110°C (85-230°F)	YF42NC30110118UJ	YF44NC30110118UJ	110	50	0,5~0,8°C (0.9~1.4°F)
30-110°C (85-230°F)	YF42NC30110178UJ	YF44NC30110178UJ	170	50	0,5~0,8°C (0.9~1.4°F)
30-110°C (85-230°F)	YF42NC30110238UJ	YF44NC30110238UJ	230	50	0,5~0,8°C (0.9~1.4°F)
30-110°C (85-230°F)	YF42NC30110308UJ	YF44NC30110308UJ	300	50	0,5~0,8°C (0.9~1.4°F)
30-110°C (85-230°F)	YF42NC30110458UJ	YF44NC30110458UJ	450	50	0,5~0,8°C (0.9~1.4°F)
30-110°C (85-230°F)	YF42NC30110608UJ	YF44NC30110608UJ	600	50	0,5~0,8°C (0.9~1.4°F)

°F printing: replace last character (J) by K

Knob printings

°C Printing			°F Printing		
4-40°C	30-90°C	30-110°C	40-105°F	85-195°F	85-230°F
